

Inverter Multi System R32

Outdoor Unit (2 Rooms)

RAS-2M18U2AVG-E

Contents

1 Line up	2
2 Specifications	3
2-1 Outdoor Unit	3
2-2 Combination	4
3 Cooling / Heating Capacity Characteristic	16
4 Dimension	17
5 Wiring	18
6 Refrigerant cycle	19
7 Sound Characteristics (NC Curve)	20
8 Capacity table	21

1. Line up

RAS-2M18U2AVG-E

Type	Appearance	Model name	Capacity rank
High wall DSK9		RAS-M10PKVPG-E	10k
		RAS-M13PKVPG-E	13k
		RAS-M16PKVPG-E	16k
High wall SHORAI		RAS-M05PKVSG-E	05k
		RAS-M07PKVSG-E	07k
		RAS-B10PKVSG-E	10k
		RAS-B13PKVSG-E	13k
		RAS-B16PKVSG-E	16k
High wall MIRAI		RAS-B05BKVGE-E	05k
		RAS-B07BKVGE-E	07k
		RAS-B10BKVGE-E	10k
		RAS-B13BKVGE-E	13k
		RAS-B16BKVGE-E	16k
Ducted		RAS-M07U2DVG-E	07k
		RAS-M10U2DVG-E	10k
		RAS-M13U2DVG-E	13k
		RAS-M16U2DVG-E	16k
Compact 4-way		RAS-M10U2MUVG-E	10k
		RAS-M13U2MUVG-E	13k
		RAS-M16U2MUVG-E	16k
Bi-Flow console		RAS-B10U2FVG-E	10k
		RAS-B13U2FVG-E	13k

2. Specifications

2.1 Outdoor unit : RAS-2M18U2AVG-E

Unit model	Outdoor	RAS-	2M18U2AVG-E		
	Connection indoor unit of this specification	RAS-	B16PKVSG-E + B13PKVSG-E		
Cooling Capacity (*1)		(kW)	5.2		
Cooling Capacity range		(kW)	1.7 to 6.2		
Heating Capacity (*1)		(kW)	5.6		
Heating Capacity range		(kW)	1.3 to 7.5		
-7°C Max heating		(kW)	2.83		
Power supply	1Ph,220-240V,50Hz				
Electric characteristics	Total	Operation mode	Cooling	Heating	
		Running current (A)	6.43 / 6.15 / 5.90	5.73 / 5.48 / 5.26	
		Power consumption (W)	1340	1190	
		Power factor (%)	95	94	
		Starting current (A)	6.43 / 6.15 / 5.90		
EER / COP	3.88 / 4.71				
SEER / SCOP	6.90 / 4.60				
Operation noise	Outdoor (Cooling/Heating)	Sound pressure level (dBA)	47 / 50		
		Sound power level (dBA)	60 / 63		
Outdoor unit	Dimension	Height (mm)	630		
		Width (mm)	800		
		Depth (mm)	300		
	Net weight (kg)	45			
	Compressor	Motor output (W)	1320		
		Type	Twin rotary type with DC-inverter variable speed control		
		Model	DX136A1T-40N		
	Fan motor output (W)	43			
	Air flow rate (Cooling/Heating) (m ³ /h)	2107 / 2038			
	Type	Flare connection			
	Name of refrigerant	R32			
Weight of refrigerant (kg)	1.02				
Piping connection	Outdoor unit	A unit liquid side/gas side	Ø 6.35 / Ø 9.52		
		B unit liquid side/gas side	Ø 6.35 / Ø 9.52		
		C unit liquid side/gas side	-		
	Maximum length (per unit) (m)	20			
	Maximum length (total) (m)	30			
	Maximum chargeless length (m)	30			
	Maximum height difference (m)	10			
Wiring connection	Power supply / interconnection	3 Wires : includes earth / 4 Wires : includes earth			
Usable temperature range	Outdoor (Cooling/Heating) (°C)	-10 to 46°C / -20 to 24°C			
Accessory Outdoor unit	Installation manual	1			

• For performance when each indoor unit is combined with other unit, refer to the separate table.

• The specifications may be subject to change without notice for purpose of improvement.

• (*1) Rated conditions

Cooling : Capacity test condition, inside : 27 °C (Db) / 19 °C (Wb), outside : 35 °C (Db) / 24 °C (Wb)

Heating : Capacity test condition, inside : 20 °C (Db), outside : 7 °C (Db) / 6°C (Wb)

Piping length : 5 m per Indoor Unit.

2.2 Combination

Operation mode : Cooling

Power supply voltage : 220V

Operating status	Indoor unit				Unit capacity (kW)			Total				
	A	B	C	ΣkBTU	A	B	C	Cooling capacity (kW)	Power consumption (W)	Operating current (A)	Power factor (%)	Rated SEER
1 unit	05	-	-	5	1.50	-	-	1.5 (1.2 - 1.8)	310 (240 - 380)	1.80 (1.42 - 1.85)	78 (77 - 93)	-
	07	-	-	7	2.00	-	-	2.0 (1.3 - 2.5)	410 (240 - 650)	2.40 (1.42 - 3.18)	78 (77 - 93)	-
	10	-	-	10	2.70	-	-	2.7 (1.3 - 3.2)	650 (240 - 890)	3.40 (1.42 - 4.30)	87 (77 - 94)	-
	13	-	-	13	3.70	-	-	3.7 (1.4 - 4.1)	1080 (240 - 1380)	5.25 (1.42 - 6.60)	94 (77 - 95)	-
	16	-	-	16	4.50	-	-	4.5 (1.5 - 5.3)	1370 (250 - 1950)	6.55 (1.48 - 9.35)	95 (77 - 95)	-
2 units	05	05	-	10	1.50	1.50	-	3.0 (1.7 - 5.2)	700 (270 - 1840)	3.45 (1.60 - 8.70)	92 (77 - 96)	7.48
	07	05	-	12	2.88	0.62	-	3.5 (1.7 - 5.3)	850 (270 - 1840)	4.10 (1.60 - 8.70)	94 (77 - 96)	7.19
	10	05	-	15	3.65	0.55	-	4.2 (1.7 - 5.4)	1100 (270 - 1840)	5.25 (1.60 - 8.70)	95 (77 - 96)	6.66
	13	05	-	18	4.66	0.54	-	5.2 (1.7 - 5.5)	1520 (270 - 1840)	7.30 (1.60 - 8.70)	95 (77 - 96)	5.97
	16	05	-	21	4.75	0.45	-	5.2 (1.7 - 5.5)	1490 (270 - 1840)	7.15 (1.60 - 8.70)	95 (77 - 96)	6.09
	07	07	-	14	2.00	2.00	-	4.0 (1.7 - 5.5)	1000 (270 - 1700)	4.80 (1.60 - 8.05)	95 (77 - 96)	6.59
	10	07	-	17	2.76	1.94	-	4.7 (1.7 - 5.8)	1260 (270 - 1830)	6.05 (1.60 - 8.66)	95 (77 - 96)	6.62
	13	07	-	20	3.38	1.82	-	5.2 (1.7 - 5.9)	1490 (270 - 1840)	7.15 (1.60 - 8.70)	95 (77 - 96)	6.64
	16	07	-	23	3.62	1.58	-	5.2 (1.7 - 6.2)	1390 (270 - 1870)	6.65 (1.60 - 8.85)	95 (77 - 96)	6.84
	10	10	-	20	2.60	2.60	-	5.2 (1.7 - 5.9)	1520 (270 - 1840)	7.30 (1.60 - 8.70)	95 (77 - 96)	6.62
	13	10	-	23	2.94	2.26	-	5.2 (1.7 - 6.0)	1480 (270 - 1850)	7.10 (1.60 - 8.76)	95 (77 - 96)	6.69
	16	10	-	26	3.20	2.00	-	5.2 (1.7 - 6.3)	1370 (270 - 1870)	6.55 (1.60 - 8.85)	95 (77 - 96)	6.88
	13	13	-	26	2.60	2.60	-	5.2 (1.7 - 6.1)	1430 (270 - 1850)	6.85 (1.60 - 8.75)	95 (77 - 96)	6.76
	16	13	-	29	2.87	2.33	-	5.2 (1.7 - 6.2)	1340 (270 - 1880)	6.40 (1.60 - 8.90)	95 (77 - 96)	6.90
	16	16	-	32	2.60	2.60	-	5.2 (1.7 - 6.4)	1300 (270 - 1900)	6.20 (1.60 - 9.00)	95 (77 - 96)	6.98

- Specification values are those under the condition as follows ;
Cooling : Capacity test condition, inside : 27 °C (Db) / 19 °C (Wb), outside : 35 °C (Db) / 24 °C (Wb)
Piping length : 5 m per Indoor Unit.

Operation mode : Cooling

Power supply voltage: 230V

Operating status	Indoor unit				Unit capacity (kW)			Total				
	A	B	C	ΣkBTU	A	B	C	Cooling capacity (kW)	Power consumption (W)	Operating current (A)	Power factor (%)	Rated SEER
								(kW)	(W)	(A)	(%)	
1 unit	05	-	-	5	1.50	-	-	1.5 (1.2 - 1.8)	310 (240 - 380)	1.73 (1.36 - 1.78)	78 (77 - 93)	-
	07	-	-	7	2.00	-	-	2.0 (1.3 - 2.5)	410 (240 - 650)	2.29 (1.36 - 3.04)	78 (77 - 93)	-
	10	-	-	10	2.70	-	-	2.7 (1.3 - 3.2)	650 (240 - 890)	3.25 (1.36 - 4.12)	87 (77 - 94)	-
	13	-	-	13	3.70	-	-	3.7 (1.4 - 4.1)	1080 (240 - 1380)	5.00 (1.36 - 6.32)	94 (77 - 95)	-
	16	-	-	16	4.50	-	-	4.5 (1.5 - 5.3)	1370 (250 - 1950)	6.27 (1.41 - 8.92)	95 (77 - 95)	-
2 units	05	05	-	10	1.50	1.50	-	3.0 (1.7 - 5.2)	700 (270 - 1840)	3.31 (1.53 - 8.35)	92 (77 - 96)	7.48
	07	05	-	12	2.88	0.62	-	3.5 (1.7 - 5.3)	850 (270 - 1840)	3.93 (1.53 - 8.35)	94 (77 - 96)	7.19
	10	05	-	15	3.65	0.55	-	4.2 (1.7 - 5.4)	1100 (270 - 1840)	5.03 (1.53 - 8.35)	95 (77 - 96)	6.66
	13	05	-	18	4.66	0.54	-	5.2 (1.7 - 5.5)	1520 (270 - 1840)	6.96 (1.53 - 8.35)	95 (77 - 96)	5.97
	16	05	-	21	4.75	0.45	-	5.2 (1.7 - 5.5)	1490 (270 - 1840)	6.82 (1.53 - 8.35)	95 (77 - 96)	6.09
	07	07	-	14	2.00	2.00	-	4.0 (1.7 - 5.5)	1000 (270 - 1700)	4.58 (1.53 - 7.70)	95 (77 - 96)	6.59
	10	07	-	17	2.76	1.94	-	4.7 (1.7 - 5.8)	1260 (270 - 1830)	5.80 (1.53 - 8.30)	94 (77 - 96)	6.62
	13	07	-	20	3.38	1.82	-	5.2 (1.7 - 5.9)	1490 (270 - 1840)	6.82 (1.53 - 8.35)	95 (77 - 96)	6.64
	16	07	-	23	3.62	1.58	-	5.2 (1.7 - 6.2)	1390 (270 - 1870)	6.37 (1.53 - 8.50)	95 (77 - 96)	6.84
	10	10	-	20	2.60	2.60	-	5.2 (1.7 - 5.9)	1520 (270 - 1840)	6.95 (1.53 - 8.35)	95 (77 - 96)	6.62
	13	10	-	23	2.94	2.26	-	5.2 (1.7 - 6.0)	1480 (270 - 1850)	6.77 (1.53 - 8.40)	95 (77 - 96)	6.69
	16	10	-	26	3.20	2.00	-	5.2 (1.7 - 6.3)	1370 (270 - 1870)	6.29 (1.53 - 8.49)	95 (77 - 96)	6.88
	13	13	-	26	2.60	2.60	-	5.2 (1.7 - 6.1)	1430 (270 - 1850)	6.55 (1.53 - 8.40)	95 (77 - 96)	6.76
	16	13	-	29	2.87	2.33	-	5.2 (1.7 - 6.2)	1340 (270 - 1880)	6.15 (1.53 - 8.55)	95 (77 - 96)	6.90
	16	16	-	32	2.60	2.60	-	5.2 (1.7 - 6.4)	1300 (270 - 1900)	5.97 (1.53 - 8.60)	95 (77 - 96)	6.98

• Specification values are those under the condition as follows ;
 Cooling : Capacity test condition, inside : 27 °C (Db) / 19 °C (Wb), outside : 35 °C (Db) / 24 °C (Wb)
 Piping length : 5 m per Indoor Unit.

Operation mode : Cooling

Power supply voltage : 240V

Operating status	Indoor unit				Unit capacity (kW)			Total				
	A	B	C	ΣkBTU	A	B	C	Cooling capacity (kW)	Power consumption (W)	Operating current (A)	Power factor (%)	Rated SEER
								()	()	()	()	
1 unit	05	-	-	5	1.50	-	-	1.5 (1.2 - 1.8)	310 (240 - 380)	1.65 (1.30 - 1.70)	78 (77 - 93)	-
	07	-	-	7	2.00	-	-	2.0 (1.3 - 2.5)	410 (240 - 650)	2.20 (1.30 - 2.90)	78 (77 - 93)	-
	10	-	-	10	2.70	-	-	2.7 (1.3 - 3.2)	650 (240 - 890)	3.10 (1.30 - 3.95)	87 (77 - 94)	-
	13	-	-	13	3.70	-	-	3.7 (1.4 - 4.1)	1080 (240 - 1380)	4.80 (1.30 - 6.05)	94 (77 - 95)	-
	16	-	-	16	4.50	-	-	4.5 (1.5 - 5.3)	1370 (250 - 1950)	6.00 (1.35 - 8.55)	95 (77 - 95)	-
2 units	05	05	-	10	1.50	1.50	-	3.0 (1.7 - 5.2)	700 (270 - 1840)	3.18 (1.45 - 8.00)	92 (77 - 96)	7.48
	07	05	-	12	2.88	0.62	-	3.5 (1.7 - 5.3)	850 (270 - 1840)	3.78 (1.45 - 8.00)	94 (77 - 96)	7.19
	10	05	-	15	3.65	0.55	-	4.2 (1.7 - 5.4)	1100 (270 - 1840)	4.80 (1.45 - 8.00)	95 (77 - 96)	6.66
	13	05	-	18	4.66	0.54	-	5.2 (1.7 - 5.5)	1520 (270 - 1840)	6.70 (1.45 - 8.00)	95 (77 - 96)	5.97
	16	05	-	21	4.75	0.45	-	5.2 (1.7 - 5.5)	1490 (270 - 1840)	6.55 (1.45 - 8.00)	95 (77 - 96)	6.09
	07	07	-	14	2.00	2.00	-	4.0 (1.7 - 5.5)	1000 (270 - 1700)	4.40 (1.45 - 7.40)	95 (77 - 96)	6.59
	10	07	-	17	2.76	1.94	-	4.7 (1.7 - 5.8)	1260 (270 - 1830)	5.55 (1.45 - 7.95)	95 (77 - 96)	6.62
	13	07	-	20	3.38	1.82	-	5.2 (1.7 - 5.9)	1490 (270 - 1840)	6.55 (1.45 - 8.00)	95 (77 - 96)	6.64
	16	07	-	23	3.62	1.58	-	5.2 (1.7 - 6.2)	1390 (270 - 1870)	6.10 (1.45 - 8.15)	95 (77 - 96)	6.84
	10	10	-	20	2.60	2.60	-	5.2 (1.7 - 5.9)	1520 (270 - 1840)	6.70 (1.45 - 8.00)	95 (77 - 96)	6.62
	13	10	-	23	2.94	2.26	-	5.2 (1.7 - 6.0)	1480 (270 - 1850)	6.50 (1.45 - 8.05)	95 (77 - 96)	6.69
	16	10	-	26	3.20	2.00	-	5.2 (1.7 - 6.3)	1370 (270 - 1870)	6.00 (1.45 - 8.15)	95 (77 - 96)	6.88
	13	13	-	26	2.60	2.60	-	5.2 (1.7 - 6.1)	1430 (270 - 1850)	6.30 (1.45 - 8.05)	95 (77 - 96)	6.76
	16	13	-	29	2.87	2.33	-	5.2 (1.7 - 6.2)	1340 (270 - 1880)	5.88 (1.45 - 8.20)	95 (77 - 96)	6.90
	16	16	-	32	2.60	2.60	-	5.2 (1.7 - 6.4)	1300 (270 - 1900)	5.73 (1.45 - 8.28)	95 (77 - 96)	6.98

- Specification values are those under the condition as follows ;
Cooling : Capacity test condition, inside : 27 °C (Db) / 19 °C (Wb), outside : 35 °C (Db) / 24 °C (Wb)
Piping length : 5 m per Indoor Unit.

Operation mode : Heating

Power supply voltage : 220V

Operating status	Indoor unit				Unit capacity (kW)			Total				
	A	B	C	ΣkBTU	A	B	C	Heating capacity (kW)	Power consumption (W)	Operating current (A)	Power factor (%)	Rated SCOP
1 unit	05	-	-	5	2.00	-	-	2.0 (1.0 - 2.5)	460 (210 - 590)	2.46 (1.26 - 2.82)	85 (76 - 95)	-
	07	-	-	7	2.70	-	-	2.7 (1.0 - 3.4)	630 (210 - 980)	3.37 (1.26 - 4.69)	85 (76 - 95)	-
	10	-	-	10	4.00	-	-	4.0 (1.0 - 4.8)	1160 (210 - 1560)	5.61 (1.25 - 7.44)	94 (76 - 95)	-
	13	-	-	13	5.00	-	-	5.0 (1.0 - 5.3)	1580 (210 - 1770)	7.64 (1.26 - 8.47)	94 (76 - 95)	-
	16	-	-	16	5.50	-	-	5.5 (1.1 - 6.5)	1700 (230 - 2320)	8.22 (1.38 - 11.10)	94 (76 - 95)	-
2 units	05	05	-	10	2.00	2.00	-	4.0 (1.3 - 6.7)	980 (240 - 2200)	4.74 (1.42 - 10.45)	94 (77 - 96)	3.85
	07	05	-	12	2.70	2.00	-	4.7 (1.3 - 6.8)	1160 (240 - 2200)	5.37 (1.42 - 10.45)	94 (77 - 96)	3.82
	10	05	-	15	3.73	1.87	-	5.6 (1.3 - 6.9)	1380 (240 - 2100)	6.38 (1.42 - 9.97)	94 (77 - 96)	3.82
	13	05	-	18	4.00	1.60	-	5.6 (1.3 - 7.0)	1380 (240 - 2100)	6.38 (1.42 - 9.97)	94 (77 - 96)	3.82
	16	05	-	21	4.11	1.49	-	5.6 (1.3 - 7.1)	1350 (240 - 2100)	6.24 (1.42 - 9.97)	94 (77 - 96)	3.91
	07	07	-	14	2.70	2.70	-	5.0 (1.3 - 7.2)	1370 (240 - 2240)	6.34 (1.42 - 10.64)	94 (77 - 96)	4.19
	10	07	-	17	3.34	2.26	-	5.6 (1.3 - 7.2)	1390 (250 - 2200)	6.37 (1.49 - 10.45)	94 (77 - 96)	4.21
	13	07	-	20	3.64	1.96	-	5.6 (1.3 - 7.5)	1340 (250 - 2250)	6.15 (1.49 - 10.69)	94 (77 - 96)	4.32
	16	07	-	23	3.76	1.84	-	5.6 (1.3 - 7.5)	1240 (240 - 2090)	5.71 (1.42 - 9.93)	94 (77 - 96)	4.57
	10	10	-	20	2.80	2.80	-	5.6 (1.3 - 7.3)	1350 (250 - 2160)	6.20 (1.49 - 10.26)	94 (77 - 96)	4.31
	13	10	-	23	3.11	2.49	-	5.6 (1.3 - 7.5)	1320 (250 - 2210)	6.06 (1.49 - 10.50)	94 (77 - 96)	4.33
	16	10	-	26	3.24	2.36	-	5.6 (1.3 - 7.5)	1220 (240 - 2070)	5.62 (1.42 - 9.83)	94 (77 - 96)	4.59
	13	13	-	26	2.80	2.80	-	5.6 (1.3 - 7.5)	1290 (250 - 2170)	5.93 (1.49 - 10.30)	94 (77 - 96)	4.36
	16	13	-	29	2.93	2.67	-	5.6 (1.3 - 7.5)	1190 (240 - 2020)	5.48 (1.42 - 9.58)	99 (77 - 96)	4.60
	16	16	-	32	2.80	2.80	-	5.6 (1.3 - 7.5)	1140 (240 - 1910)	5.26 (1.42 - 9.07)	94 (77 - 96)	4.63

• Specification values are those under the condition as follows ;
 Heating : Capacity test condition, inside : 20 °C (Db), outside : 7 °C (Db) / 6°C (Wb)
 Piping length : 5 m per Indoor Unit.

Operation mode : Heating

Power supply voltage : 230V

Operating status	Indoor unit				Unit capacity (kW)			Total				
	A	B	C	ΣkBTU	A	B	C	Heating capacity (kW)	Power consumption (W)	Operating current (A)	Power factor (%)	Rated SCOP
1 unit	05	-	-	5	2.00	-	-	2.0 (1.0 - 2.5)	460 (210 - 590)	2.35 (1.20 - 2.70)	85 (76 - 95)	-
	07	-	-	7	2.70	-	-	2.7 (1.0 - 3.4)	630 (210 - 980)	3.22 (1.20 - 4.49)	85 (76 - 95)	-
	10	-	-	10	4.00	-	-	4.0 (1.0 - 4.8)	1160 (210 - 1560)	5.37 (1.19 - 7.12)	94 (76 - 95)	-
	13	-	-	13	5.00	-	-	5.0 (1.0 - 5.3)	1580 (210 - 1770)	7.31 (1.20 - 8.10)	94 (76 - 95)	-
	16	-	-	16	5.50	-	-	5.5 (1.1 - 6.5)	1700 (230 - 2320)	7.86 (1.32 - 10.62)	94 (76 - 95)	-
2 units	05	05	-	10	2.00	2.00	-	4.0 (1.3 - 6.7)	980 (240 - 2200)	4.53 (1.36 - 10.00)	94 (77 - 96)	3.85
	07	05	-	12	2.70	2.00	-	4.7 (1.3 - 6.8)	1160 (240 - 2200)	5.37 (1.36 - 10.00)	94 (77 - 96)	3.82
	10	05	-	15	3.73	1.87	-	5.6 (1.3 - 6.9)	1380 (240 - 2100)	6.38 (1.36 - 9.55)	94 (77 - 96)	3.82
	13	05	-	18	4.00	1.60	-	5.6 (1.3 - 7.0)	1380 (240 - 2100)	6.38 (1.36 - 9.55)	94 (77 - 96)	3.82
	16	05	-	21	4.11	1.49	-	5.6 (1.3 - 7.1)	1350 (240 - 2100)	6.24 (1.36 - 9.55)	94 (77 - 96)	3.91
	07	07	-	14	2.70	2.70	-	5.0 (1.3 - 7.2)	1370 (240 - 2240)	6.34 (1.36 - 10.14)	94 (77 - 96)	4.19
	10	07	-	17	3.34	2.26	-	5.6 (1.3 - 7.2)	1390 (250 - 2200)	6.37 (1.40 - 10.00)	95 (77 - 96)	4.21
	13	07	-	20	3.64	1.96	-	5.6 (1.3 - 7.5)	1340 (250 - 2250)	6.15 (1.40 - 10.20)	95 (77 - 96)	4.32
	16	07	-	23	3.76	1.84	-	5.6 (1.3 - 7.5)	1240 (240 - 2090)	5.71 (1.36 - 9.50)	94 (77 - 96)	4.57
	10	10	-	20	2.80	2.80	-	5.6 (1.3 - 7.3)	1350 (250 - 2160)	6.20 (1.40 - 9.80)	95 (77 - 96)	4.31
	13	10	-	23	3.11	2.49	-	5.6 (1.3 - 7.5)	1320 (250 - 2210)	6.06 (1.40 - 10.05)	95 (77 - 96)	4.33
	16	10	-	26	3.24	2.36	-	5.6 (1.3 - 7.5)	1220 (240 - 2070)	5.62 (1.36 - 9.40)	94 (77 - 96)	4.59
	13	13	-	26	2.80	2.80	-	5.6 (1.3 - 7.5)	1290 (250 - 2170)	5.93 (1.40 - 9.85)	95 (77 - 96)	4.36
	16	13	-	29	2.93	2.67	-	5.6 (1.3 - 7.5)	1190 (240 - 2020)	5.48 (1.36 - 9.16)	94 (77 - 96)	4.60
	16	16	-	32	2.80	2.80	-	5.6 (1.3 - 7.5)	1140 (240 - 1910)	5.26 (1.36 - 8.65)	94 (77 - 96)	4.63

• Specification values are those under the condition as follows ;
 Heating : Capacity test condition, inside : 20 °C (Db), outside : 7 °C (Db) / 6°C (Wb)
 Piping length : 5 m per Indoor Unit.

Operation mode : Heating

Power supply voltage : 240V

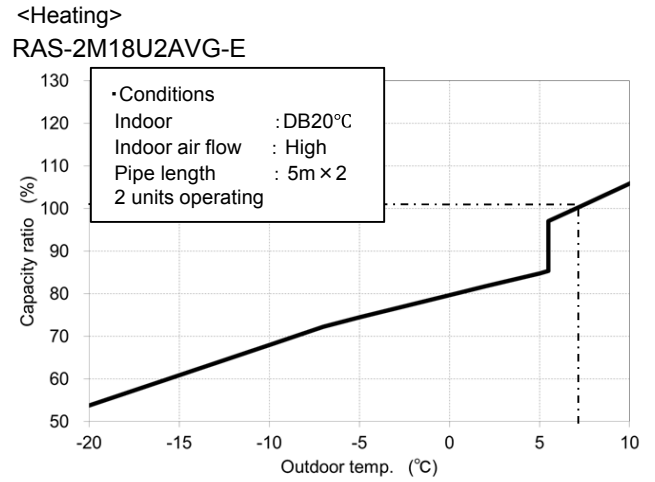
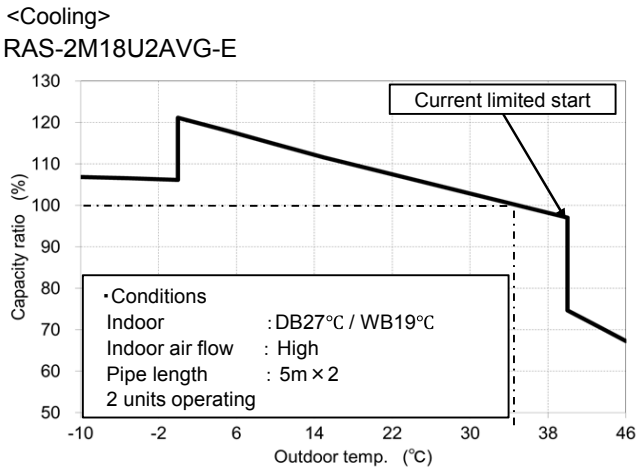
Operating status	Indoor unit				Unit capacity (kW)			Total				
	A	B	C	ΣkBTU	A	B	C	Heating capacity (kW)	Power consumption (W)	Operating current (A)	Power factor (%)	Rated SCOP
1 unit	05	-	-	5	2.00	-	-	2.0 (1.0 - 2.5)	460 (210 - 590)	2.25 (1.15 - 2.59)	85 (76 - 95)	-
	07	-	-	7	2.70	-	-	2.7 (1.0 - 3.4)	630 (210 - 980)	3.09 (1.15 - 4.30)	85 (76 - 95)	-
	10	-	-	10	4.00	-	-	4.0 (1.0 - 4.8)	1160 (210 - 1560)	5.14 (1.14 - 6.82)	94 (76 - 95)	-
	13	-	-	13	5.00	-	-	5.0 (1.0 - 5.3)	1580 (210 - 1770)	7.00 (1.15 - 7.76)	94 (76 - 95)	-
	16	-	-	16	5.50	-	-	5.5 (1.1 - 6.5)	1700 (230 - 2320)	7.54 (1.26 - 10.18)	94 (76 - 95)	-
2 units	05	05	-	10	2.00	2.00	-	4.0 (1.3 - 6.7)	980 (240 - 2200)	4.34 (1.30 - 9.58)	94 (77 - 96)	3.85
	07	05	-	12	2.70	2.00	-	4.7 (1.3 - 6.8)	1160 (240 - 2200)	5.37 (1.30 - 9.58)	94 (77 - 96)	3.82
	10	05	-	15	3.73	1.87	-	5.6 (1.3 - 6.9)	1380 (240 - 2100)	6.38 (1.30 - 9.14)	94 (77 - 96)	3.82
	13	05	-	18	4.00	1.60	-	5.6 (1.3 - 7.0)	1380 (240 - 2100)	6.38 (1.30 - 9.14)	94 (77 - 96)	3.82
	16	05	-	21	4.11	1.49	-	5.6 (1.3 - 7.1)	1350 (240 - 2100)	6.24 (1.30 - 9.14)	94 (77 - 96)	3.91
	07	07	-	14	2.70	2.70	-	5.0 (1.3 - 7.2)	1370 (240 - 2240)	6.34 (1.30 - 9.75)	94 (77 - 96)	4.19
	10	07	-	17	3.34	2.26	-	5.6 (1.3 - 7.2)	1390 (250 - 2200)	6.37 (1.36 - 9.58)	94 (77 - 96)	4.21
	13	07	-	20	3.64	1.96	-	5.6 (1.3 - 7.5)	1340 (250 - 2250)	6.15 (1.36 - 9.80)	94 (77 - 96)	4.32
	16	07	-	23	3.76	1.84	-	5.6 (1.3 - 7.5)	1240 (240 - 2090)	5.71 (1.30 - 9.10)	94 (77 - 96)	4.57
	10	10	-	20	2.80	2.80	-	5.6 (1.3 - 7.3)	1350 (250 - 2160)	6.20 (1.36 - 9.40)	94 (77 - 96)	4.31
	13	10	-	23	3.11	2.49	-	5.6 (1.3 - 7.5)	1320 (250 - 2210)	6.06 (1.36 - 9.62)	94 (77 - 96)	4.33
	16	10	-	26	3.24	2.36	-	5.6 (1.3 - 7.5)	1220 (240 - 2070)	5.62 (1.30 - 9.01)	94 (77 - 96)	4.59
	13	13	-	26	2.80	2.80	-	5.6 (1.3 - 7.5)	1290 (250 - 2170)	5.93 (1.36 - 9.44)	94 (77 - 96)	4.36
	16	13	-	29	2.93	2.67	-	5.6 (1.3 - 7.5)	1190 (240 - 2020)	5.26 (1.30 - 8.78)	94 (77 - 96)	4.60
	16	16	-	32	2.80	2.80	-	5.6 (1.3 - 7.5)	1140 (240 - 1910)	5.26 (1.30 - 8.32)	94 (77 - 96)	4.63

• Specification values are those under the condition as follows ;
 Heating : Capacity test condition, inside : 20 °C (Db), outside : 7 °C (Db) / 6°C (Wb)
 Piping length : 5 m per Indoor Unit.

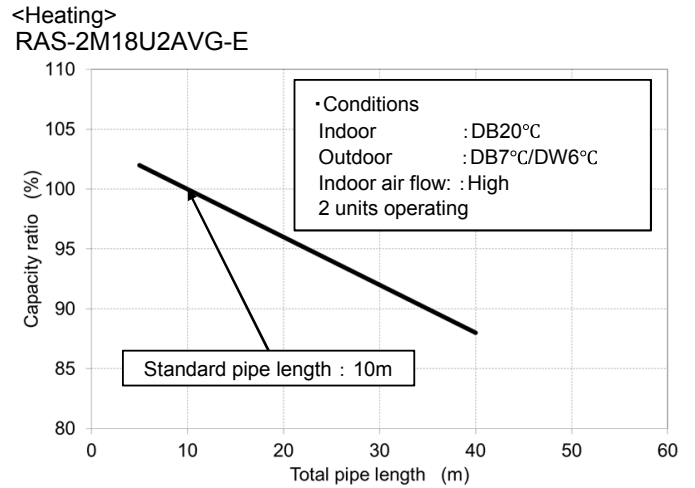
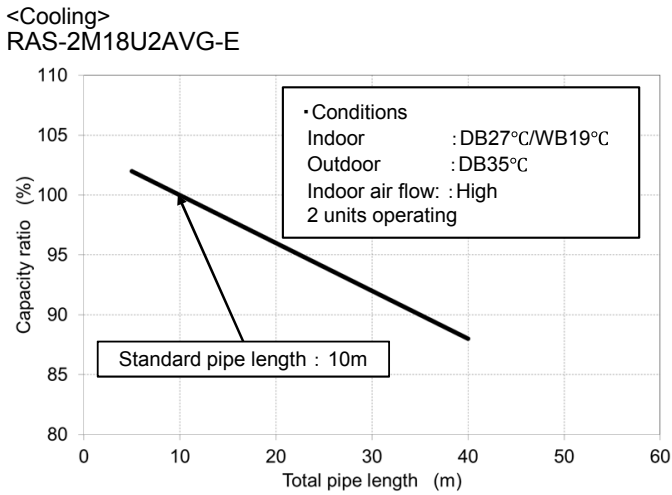
3. Cooling / Heating Capacity Characteristic

Connecting pipe length and lift difference between indoor units vs. capacity correction value.

Capacity variation ratio according to outdoor temperature



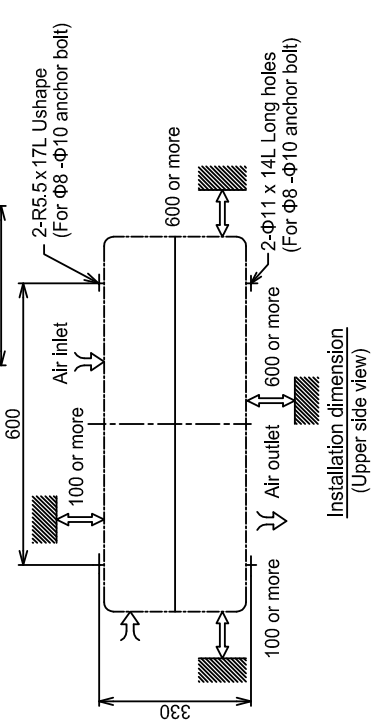
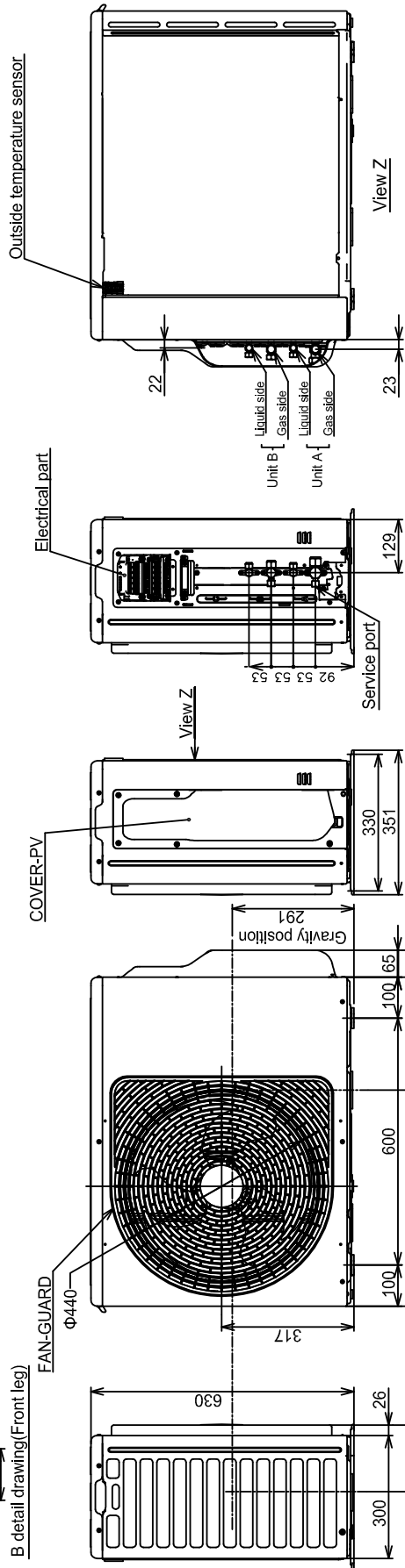
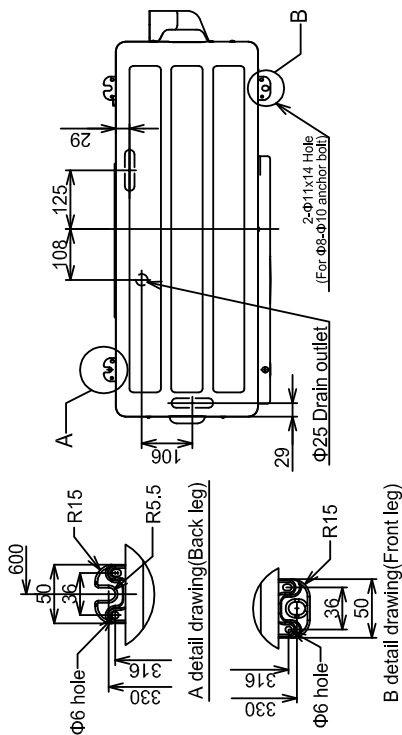
Capacity variation ratio according to pipe length



4. Dimension

RAS-2M18U2AVG-E

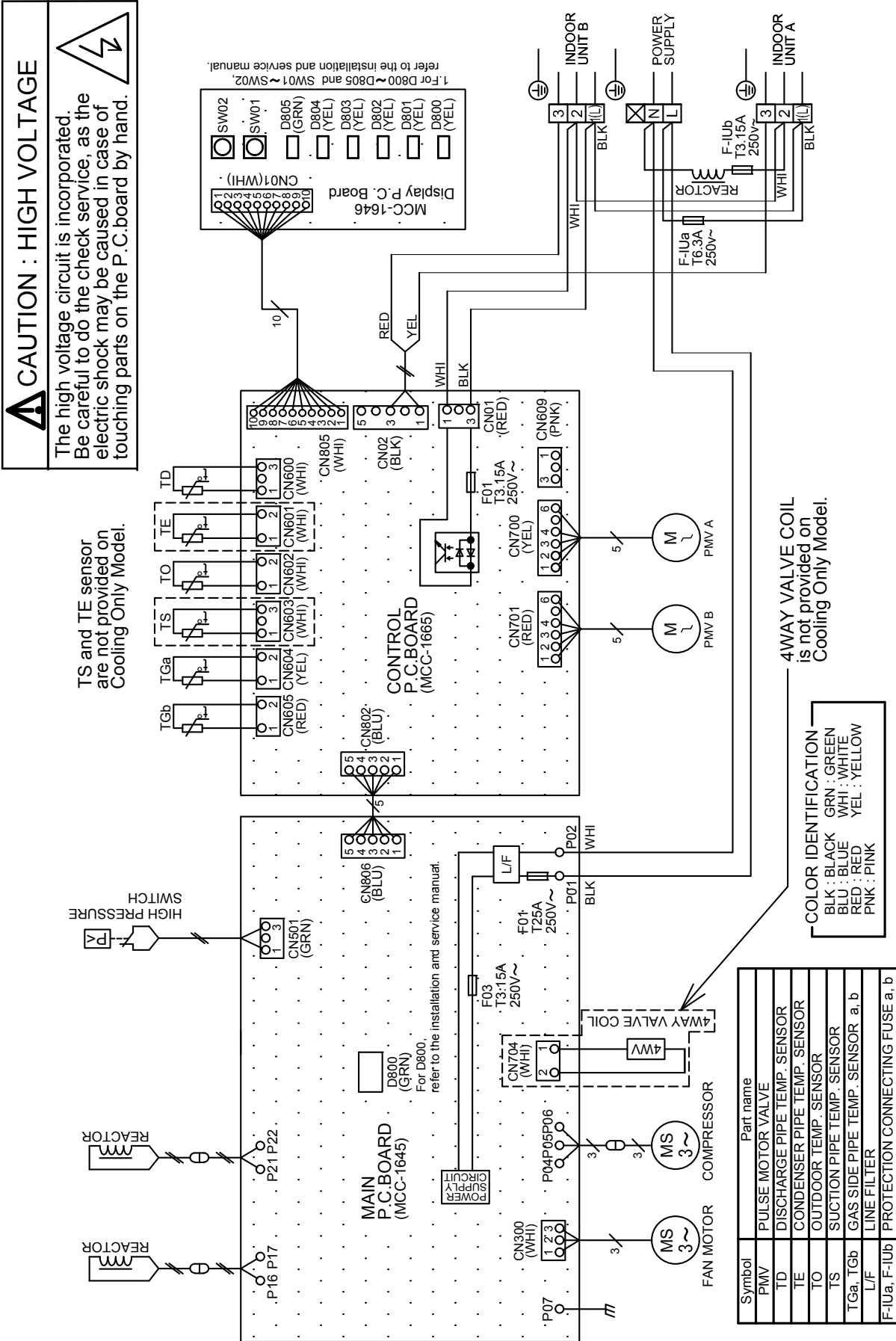
Diameter of pipe connecting port	Unit B	Liquid side	Φ 6.35
	Unit A	Gas side	Φ 9.52
Model name		Liquid side	Φ 6.35
	Gas side	Φ 9.52	
RAS-2M18U2AVG-E			



(Unit : mm)

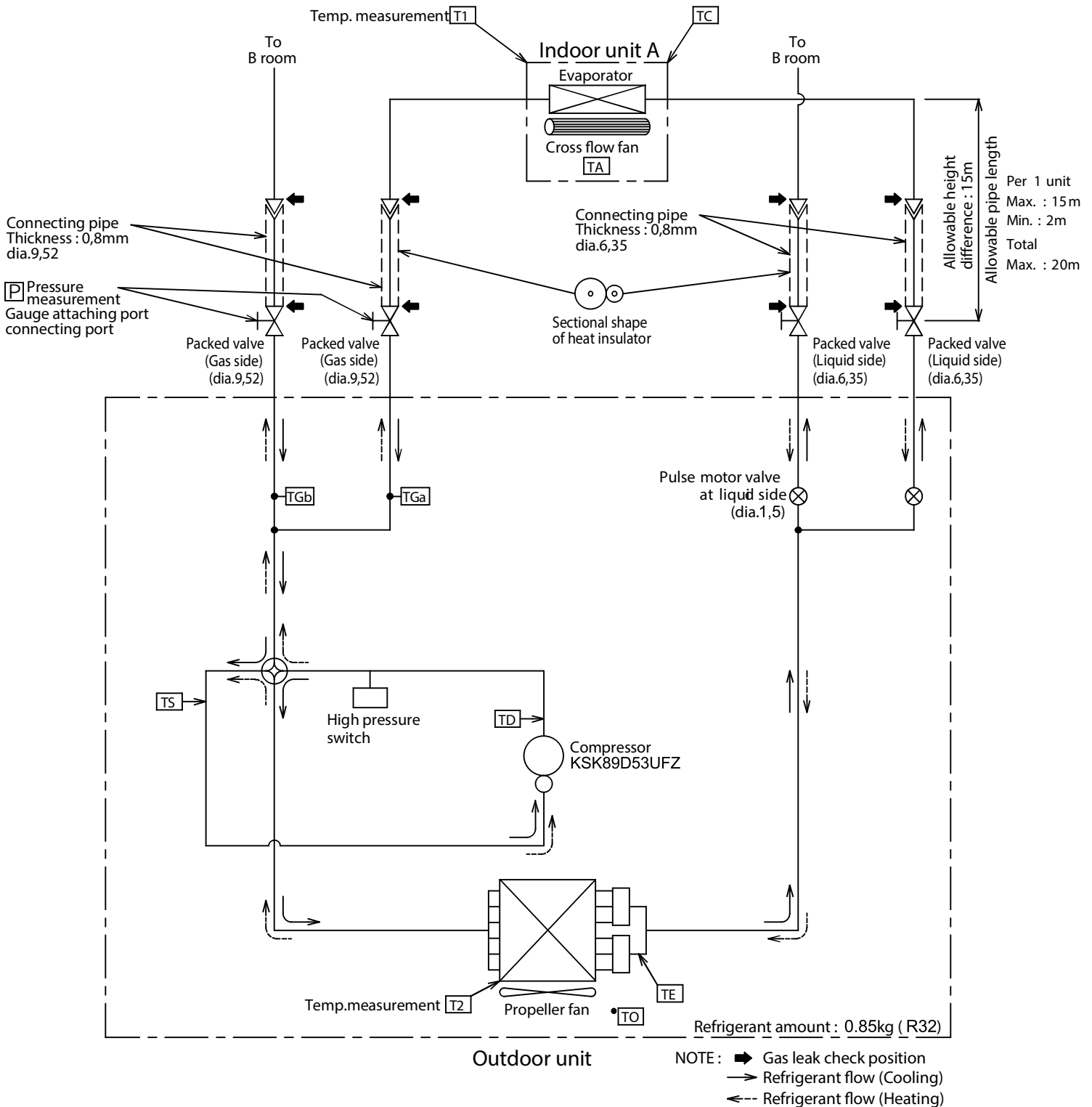
5. Wiring diagrams

RAS-2M18U2AVG-E



6. Refrigerant Cycle Diagram

RAS-2M18U2AVG-E



NOTE :

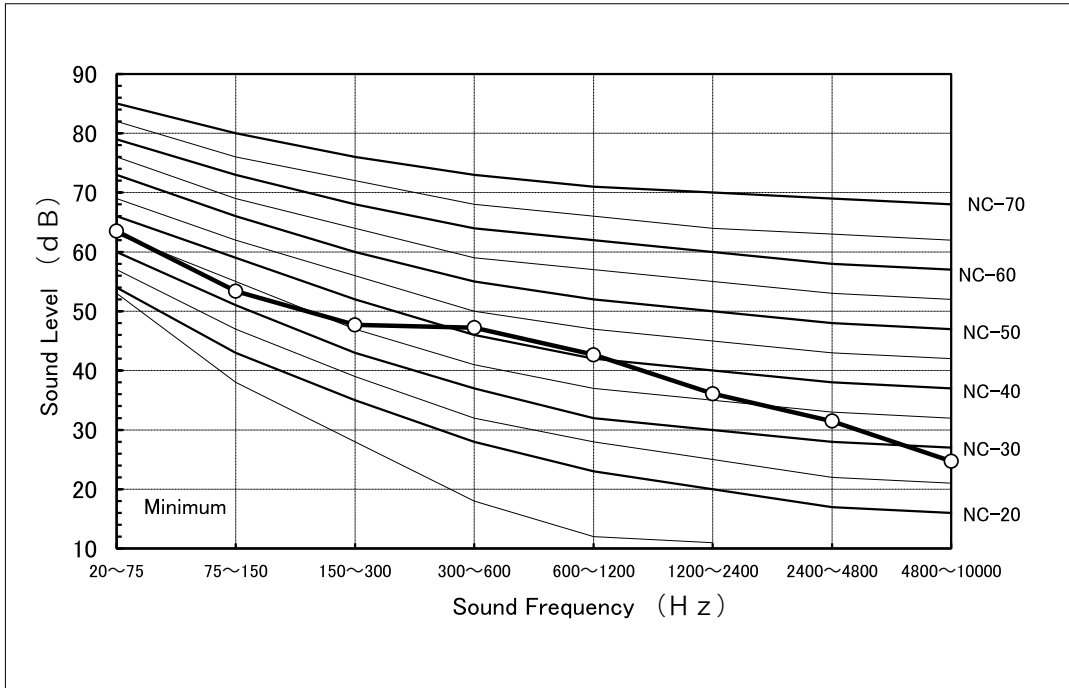
- You need not add refrigerant if the piping length is 20m or less.
- Connection of only one indoor unit is unavailable. Two indoor units should be connected.

7. Sound Characteristics (NC Curve)

RES-2M18U2AVG-E

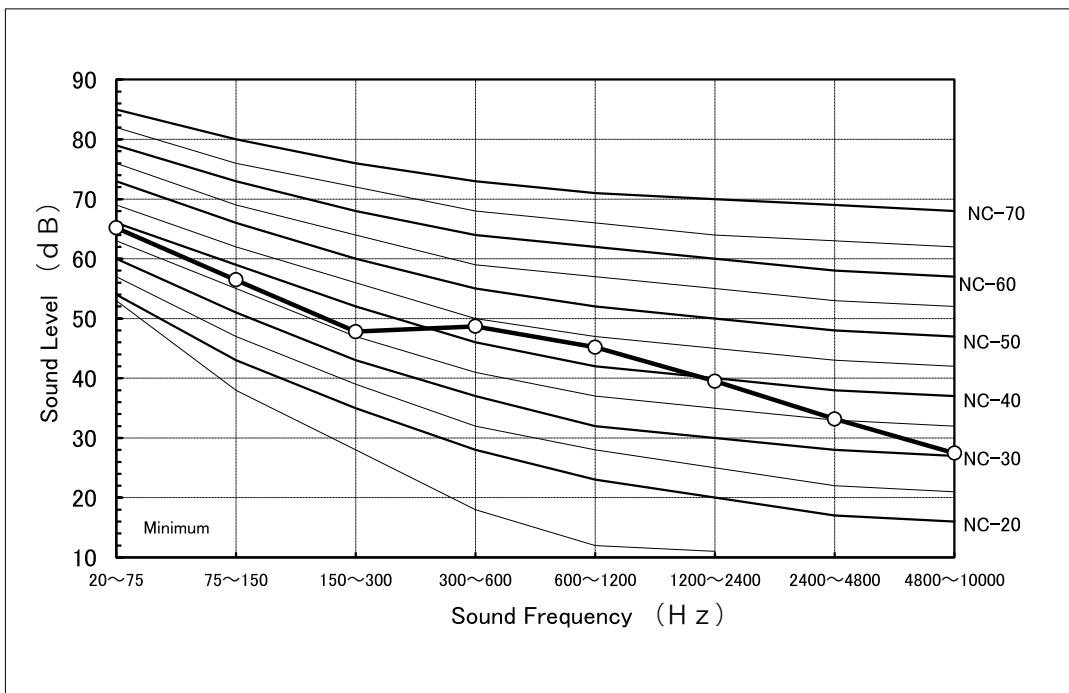
Cooling

Specification (d B)	
Fan tap	Cooling
Sound pressure level (dB(A))	47



Heating

Specification (d B)	
Fan tap	Heating
Sound pressure level (dB(A))	50



8. Capacity table

Cooling

2 - room multisplit : 1 - unit operation

Indoor units : 05 type
07 type
10 type
13 type
16 type

Outdoor unit : RAS-2M18U2AVG-E

Combination (Capacity)	Outdoor air temp. [°C DB]	Indoor air temp. [°C WB]											
		14		16		18		19		22		24	
		TC [kW]	PI [kW]	TC [kW]	PI [kW]	TC [kW]	PI [kW]	TC [kW]	PI [kW]	TC [kW]	PI [kW]	TC [kW]	PI [kW]
05	46	1.17	0.34	1.24	0.34	1.31	0.35	1.35	0.35	1.45	0.36	1.52	0.36
	43	1.22	0.33	1.28	0.33	1.35	0.34	1.39	0.34	1.49	0.35	1.56	0.35
	40	1.26	0.32	1.33	0.32	1.40	0.33	1.43	0.33	1.53	0.34	1.60	0.34
	35	1.33	0.30	1.40	0.30	1.47	0.31	1.50	0.31	1.60	0.32	1.67	0.32
	32	1.37	0.29	1.44	0.29	1.51	0.30	1.54	0.30	1.65	0.31	1.72	0.31
	25	1.47	0.26	1.54	0.27	1.61	0.27	1.64	0.28	1.74	0.28	1.81	0.29
	22	1.51	0.25	1.58	0.26	1.65	0.26	1.68	0.26	1.78	0.27	1.86	0.28
07	46	1.56	0.46	1.66	0.47	1.75	0.47	1.80	0.48	1.93	0.49	2.03	0.49
	43	1.62	0.45	1.71	0.45	1.81	0.46	1.85	0.46	1.99	0.47	2.08	0.48
	40	1.68	0.43	1.77	0.44	1.86	0.44	1.91	0.45	2.05	0.46	2.14	0.46
	35	1.77	0.40	1.86	0.41	1.95	0.42	2.00	0.42	2.14	0.43	2.23	0.44
	32	1.83	0.39	1.92	0.40	2.01	0.41	2.06	0.41	2.19	0.42	2.29	0.42
	25	1.96	0.36	2.05	0.36	2.14	0.37	2.19	0.37	2.32	0.39	2.42	0.39
	22	2.01	0.34	2.10	0.35	2.20	0.36	2.24	0.36	2.38	0.37	2.47	0.37
10	46	2.11	0.70	2.24	0.71	2.36	0.72	2.42	0.73	2.61	0.74	2.74	0.75
	43	2.19	0.68	2.31	0.69	2.44	0.70	2.50	0.70	2.69	0.72	2.81	0.73
	40	2.26	0.66	2.39	0.67	2.51	0.68	2.58	0.68	2.76	0.70	2.89	0.71
	35	2.39	0.61	2.51	0.62	2.64	0.63	2.70	0.64	2.89	0.65	3.01	0.66
	32	2.46	0.60	2.59	0.61	2.71	0.62	2.78	0.62	2.96	0.64	3.09	0.65
	25	2.64	0.55	2.77	0.55	2.89	0.57	2.95	0.57	3.14	0.59	3.26	0.59
	22	2.72	0.52	2.84	0.53	2.97	0.55	3.03	0.55	3.21	0.57	3.34	0.57
13	46	2.90	1.15	3.07	1.17	3.24	1.18	3.32	1.19	3.58	1.22	3.75	1.23
	43	3.00	1.11	3.17	1.13	3.34	1.15	3.43	1.16	3.68	1.18	3.85	1.20
	40	3.10	1.08	3.27	1.09	3.44	1.11	3.53	1.12	3.78	1.14	3.96	1.16
	35	3.27	1.01	3.44	1.02	3.61	1.04	3.70	1.05	3.96	1.07	4.13	1.09
	32	3.38	0.98	3.55	0.99	3.72	1.02	3.81	1.02	4.06	1.05	4.23	1.06
	25	3.62	0.89	3.79	0.91	3.96	0.93	4.05	0.93	4.30	0.96	4.47	0.97
	22	3.72	0.86	3.89	0.87	4.06	0.90	4.15	0.89	4.40	0.93	4.58	0.94
16	46	3.52	1.46	3.73	1.48	3.94	1.50	4.04	1.51	4.35	1.54	4.56	1.56
	43	3.65	1.41	3.85	1.43	4.06	1.45	4.17	1.46	4.48	1.49	4.69	1.52
	40	3.77	1.36	3.98	1.38	4.19	1.41	4.29	1.42	4.60	1.45	4.81	1.47
	35	3.98	1.28	4.19	1.30	4.40	1.32	4.50	1.33	4.81	1.36	5.02	1.38
	32	4.11	1.24	4.32	1.26	4.52	1.29	4.63	1.29	4.94	1.33	5.15	1.34
	25	4.40	1.13	4.61	1.15	4.82	1.18	4.92	1.18	5.23	1.22	5.44	1.23
	22	4.53	1.09	4.73	1.10	4.94	1.13	5.05	1.13	5.35	1.18	5.57	1.19

TC : Total capacity [kW]

PI ; Power input [kW]

Cooling

2 - room multisplit : 2 - unit operation

Indoor units : 05 type + 05 type 16 type + 05 type
 07 type + 05 type 07 type + 07 type
 10 type + 05 type 10 type + 07 type
 13 type + 05 type 13 type + 07 type

Outdoor unit : RAS-2M18U2AVG-E

Combination (Capacity)	Outdoor air temp. [°C DB]	Indoor air temp. [°C WB]											
		14		16		18		19		22		24	
		TC [kW]	PI [kW]	TC [kW]	PI [kW]	TC [kW]	PI [kW]	TC [kW]	PI [kW]	TC [kW]	PI [kW]	TC [kW]	PI [kW]
05+05	46	2.35	0.77	2.49	0.78	2.62	0.79	2.69	0.80	2.90	0.81	3.04	0.82
	43	2.43	0.74	2.57	0.75	2.71	0.76	2.78	0.77	2.98	0.79	3.12	0.80
	40	2.51	0.72	2.65	0.73	2.79	0.74	2.86	0.75	3.07	0.76	3.21	0.77
	35	2.65	0.67	2.79	0.68	2.93	0.69	3.00	0.70	3.21	0.72	3.35	0.73
	32	2.74	0.65	2.88	0.66	3.02	0.68	3.09	0.68	3.29	0.70	3.43	0.71
	25	2.93	0.60	3.07	0.60	3.21	0.62	3.28	0.62	3.49	0.64	3.63	0.65
	22	3.02	0.57	3.16	0.58	3.30	0.60	3.36	0.60	3.57	0.62	3.71	0.62
07+05	46	2.74	0.93	2.90	0.94	3.06	0.96	3.14	0.97	3.38	0.98	3.55	1.00
	43	2.84	0.90	3.00	0.91	3.16	0.93	3.24	0.94	3.48	0.95	3.64	0.97
	40	2.93	0.87	3.10	0.88	3.26	0.90	3.34	0.91	3.58	0.93	3.74	0.94
	35	3.10	0.82	3.26	0.83	3.42	0.84	3.50	0.85	3.74	0.87	3.90	0.88
	32	3.19	0.79	3.36	0.80	3.52	0.82	3.60	0.83	3.84	0.85	4.00	0.86
	25	3.42	0.72	3.58	0.73	3.75	0.75	3.83	0.75	4.07	0.78	4.23	0.79
	22	3.52	0.69	3.68	0.70	3.84	0.72	3.93	0.72	4.16	0.75	4.33	0.76
10+05	46	3.29	1.21	3.48	1.22	3.67	1.24	3.77	1.25	4.06	1.27	4.26	1.29
	43	3.40	1.17	3.60	1.18	3.79	1.20	3.89	1.21	4.18	1.24	4.37	1.25
	40	3.52	1.13	3.71	1.14	3.91	1.16	4.01	1.17	4.29	1.20	4.49	1.21
	35	3.71	1.06	3.91	1.07	4.10	1.09	4.20	1.10	4.49	1.13	4.68	1.14
	32	3.83	1.03	4.03	1.04	4.22	1.06	4.32	1.07	4.61	1.10	4.80	1.11
	25	4.11	0.94	4.30	0.95	4.50	0.98	4.59	0.98	4.88	1.01	5.08	1.02
	22	4.22	0.90	4.42	0.91	4.61	0.94	4.71	0.94	5.00	0.97	5.19	0.98
13+05	46	4.07	1.67	4.31	1.69	4.55	1.71	4.67	1.73	5.03	1.76	5.27	1.79
	43	4.21	1.61	4.45	1.64	4.69	1.66	4.81	1.67	5.17	1.71	5.41	1.73
	40	4.36	1.56	4.60	1.58	4.84	1.61	4.96	1.62	5.32	1.66	5.56	1.68
	35	4.60	1.46	4.84	1.48	5.08	1.51	5.20	1.52	5.56	1.56	5.80	1.58
	32	4.75	1.42	4.99	1.44	5.23	1.47	5.35	1.48	5.70	1.52	5.95	1.53
	25	5.09	1.30	5.33	1.31	5.57	1.35	5.69	1.35	6.04	1.40	6.29	1.41
	22	5.23	1.24	5.47	1.26	5.71	1.30	5.83	1.30	6.19	1.34	6.43	1.35
16+05	46	4.07	1.63	4.31	1.66	4.55	1.68	4.67	1.69	5.03	1.72	5.27	1.75
	43	4.21	1.58	4.45	1.60	4.69	1.63	4.81	1.64	5.17	1.67	5.41	1.70
	40	4.36	1.53	4.60	1.55	4.84	1.58	4.96	1.59	5.32	1.62	5.56	1.65
	35	4.60	1.43	4.84	1.45	5.08	1.48	5.20	1.49	5.56	1.52	5.80	1.55
	32	4.75	1.39	4.99	1.41	5.23	1.44	5.35	1.45	5.70	1.49	5.95	1.50
	25	5.09	1.27	5.33	1.28	5.57	1.32	5.69	1.32	6.04	1.37	6.29	1.38
	22	5.23	1.22	5.47	1.23	5.71	1.27	5.83	1.27	6.19	1.32	6.43	1.33
07+07	46	3.13	1.10	3.31	1.11	3.50	1.13	3.59	1.14	3.87	1.16	4.05	1.18
	43	3.24	1.06	3.43	1.08	3.61	1.09	3.70	1.10	3.98	1.12	4.17	1.14
	40	3.35	1.03	3.54	1.04	3.72	1.06	3.82	1.07	4.09	1.09	4.28	1.10
	35	3.54	0.96	3.72	0.98	3.91	0.99	4.00	1.00	4.28	1.02	4.46	1.04
	32	3.65	0.93	3.84	0.95	4.02	0.97	4.11	0.97	4.39	1.00	4.57	1.01
	25	3.91	0.85	4.10	0.86	4.28	0.89	4.37	0.89	4.65	0.92	4.84	0.93
	22	4.02	0.82	4.21	0.83	4.39	0.85	4.49	0.85	4.76	0.88	4.95	0.89
10+07	46	3.68	1.38	3.89	1.40	4.11	1.42	4.22	1.43	4.54	1.46	4.76	1.48
	43	3.81	1.34	4.03	1.36	4.24	1.38	4.35	1.39	4.68	1.42	4.89	1.44
	40	3.94	1.29	4.16	1.31	4.37	1.33	4.48	1.34	4.81	1.37	5.03	1.39
	35	4.16	1.21	4.37	1.23	4.59	1.25	4.70	1.26	5.02	1.29	5.24	1.31
	32	4.29	1.18	4.51	1.19	4.72	1.22	4.83	1.22	5.15	1.26	5.38	1.27
	25	4.60	1.07	4.81	1.09	5.03	1.12	5.14	1.12	5.46	1.16	5.68	1.17
	22	4.73	1.03	4.94	1.04	5.16	1.07	5.27	1.07	5.59	1.11	5.81	1.12
13+07	46	4.07	1.63	4.31	1.66	4.55	1.68	4.67	1.69	5.03	1.72	5.27	1.75
	43	4.21	1.58	4.45	1.60	4.69	1.63	4.81	1.64	5.17	1.67	5.41	1.70
	40	4.36	1.53	4.60	1.55	4.84	1.58	4.96	1.59	5.32	1.62	5.56	1.65
	35	4.60	1.43	4.84	1.45	5.08	1.48	5.20	1.49	5.56	1.52	5.80	1.55
	32	4.75	1.39	4.99	1.41	5.23	1.44	5.35	1.45	5.70	1.49	5.95	1.50
	25	5.09	1.27	5.33	1.28	5.57	1.32	5.69	1.32	6.04	1.37	6.29	1.38
	22	5.23	1.22	5.47	1.23	5.71	1.27	5.83	1.27	6.19	1.32	6.43	1.33

TC : Total capacity [kW]
 PI : Power input [kW]

Cooling

2 - room multisplit : 2 - unit operation

Indoor units : 16 type + 07 type 13 type + 13 type
 10 type + 10 type 16 type + 13 type
 13 type + 10 type 16 type + 16 type
 16 type + 10 type

Outdoor unit : RAS-2M18U2AVG-E

Combination (Capacity)	Outdoor air temp. [°C DB]	Indoor air temp. [°C WB]											
		14		16		18		19		22		24	
		TC [kW]	PI [kW]	TC [kW]	PI [kW]	TC [kW]	PI [kW]	TC [kW]	PI [kW]	TC [kW]	PI [kW]	TC [kW]	PI [kW]
16+07	46	4.07	1.52	4.31	1.54	4.55	1.57	4.67	1.58	5.03	1.61	5.27	1.63
	43	4.21	1.47	4.45	1.50	4.69	1.52	4.81	1.53	5.17	1.56	5.41	1.58
	40	4.36	1.43	4.60	1.45	4.84	1.47	4.96	1.48	5.32	1.51	5.56	1.53
	35	4.60	1.34	4.84	1.36	5.08	1.38	5.20	1.39	5.56	1.42	5.80	1.44
	32	4.75	1.30	4.99	1.31	5.23	1.34	5.35	1.35	5.70	1.39	5.95	1.40
	25	5.09	1.18	5.33	1.20	5.57	1.23	5.69	1.23	6.04	1.28	6.29	1.29
	22	5.23	1.14	5.47	1.15	5.71	1.19	5.83	1.18	6.19	1.23	6.43	1.24
10+10	46	4.07	1.67	4.31	1.69	4.55	1.71	4.67	1.73	5.03	1.76	5.27	1.79
	43	4.21	1.61	4.45	1.64	4.69	1.66	4.81	1.67	5.17	1.71	5.41	1.73
	40	4.36	1.56	4.60	1.58	4.84	1.61	4.96	1.62	5.32	1.66	5.56	1.68
	35	4.60	1.46	4.84	1.48	5.08	1.51	5.20	1.52	5.56	1.56	5.80	1.58
	32	4.75	1.42	4.99	1.44	5.23	1.47	5.35	1.48	5.70	1.52	5.95	1.53
	25	5.09	1.30	5.33	1.31	5.57	1.35	5.69	1.35	6.04	1.40	6.29	1.41
	22	5.23	1.24	5.47	1.26	5.71	1.30	5.83	1.30	6.19	1.34	6.43	1.35
13+10	46	4.07	1.62	4.31	1.64	4.55	1.67	4.67	1.68	5.03	1.71	5.27	1.74
	43	4.21	1.57	4.45	1.59	4.69	1.62	4.81	1.63	5.17	1.66	5.41	1.69
	40	4.36	1.52	4.60	1.54	4.84	1.57	4.96	1.58	5.32	1.61	5.56	1.63
	35	4.60	1.42	4.84	1.44	5.08	1.47	5.20	1.48	5.56	1.51	5.80	1.54
	32	4.75	1.38	4.99	1.40	5.23	1.43	5.35	1.44	5.70	1.48	5.95	1.49
	25	5.09	1.26	5.33	1.28	5.57	1.31	5.69	1.31	6.04	1.36	6.29	1.37
	22	5.23	1.21	5.47	1.22	5.71	1.26	5.83	1.26	6.19	1.31	6.43	1.32
16+10	46	4.07	1.50	4.31	1.52	4.55	1.54	4.67	1.56	5.03	1.59	5.27	1.61
	43	4.21	1.45	4.45	1.47	4.69	1.50	4.81	1.51	5.17	1.54	5.41	1.56
	40	4.36	1.41	4.60	1.43	4.84	1.45	4.96	1.46	5.32	1.49	5.56	1.51
	35	4.60	1.32	4.84	1.34	5.08	1.36	5.20	1.37	5.56	1.40	5.80	1.42
	32	4.75	1.28	4.99	1.30	5.23	1.32	5.35	1.33	5.70	1.37	5.95	1.38
	25	5.09	1.17	5.33	1.18	5.57	1.22	5.69	1.22	6.04	1.26	6.29	1.27
	22	5.23	1.12	5.47	1.13	5.71	1.17	5.83	1.17	6.19	1.21	6.43	1.22
13+13	46	4.07	1.57	4.31	1.59	4.55	1.61	4.67	1.63	5.03	1.66	5.27	1.68
	43	4.21	1.52	4.45	1.54	4.69	1.56	4.81	1.57	5.17	1.61	5.41	1.63
	40	4.36	1.47	4.60	1.49	4.84	1.51	4.96	1.52	5.32	1.56	5.56	1.58
	35	4.60	1.37	4.84	1.40	5.08	1.42	5.20	1.43	5.56	1.46	5.80	1.49
	32	4.75	1.33	4.99	1.35	5.23	1.38	5.35	1.39	5.70	1.43	5.95	1.44
	25	5.09	1.22	5.33	1.23	5.57	1.27	5.69	1.27	6.04	1.31	6.29	1.33
	22	5.23	1.17	5.47	1.18	5.71	1.22	5.83	1.22	6.19	1.26	6.43	1.27
16+13	46	4.07	1.47	4.31	1.49	4.55	1.51	4.67	1.52	5.03	1.55	5.27	1.57
	43	4.21	1.42	4.45	1.44	4.69	1.46	4.81	1.48	5.17	1.51	5.41	1.53
	40	4.36	1.37	4.60	1.39	4.84	1.42	4.96	1.43	5.32	1.46	5.56	1.48
	35	4.60	1.29	4.84	1.31	5.08	1.33	5.20	1.34	5.56	1.37	5.80	1.39
	32	4.75	1.25	4.99	1.27	5.23	1.30	5.35	1.30	5.70	1.34	5.95	1.35
	25	5.09	1.14	5.33	1.16	5.57	1.19	5.69	1.19	6.04	1.23	6.29	1.24
	22	5.23	1.10	5.47	1.11	5.71	1.14	5.83	1.14	6.19	1.18	6.43	1.19
16+16	46	4.07	1.42	4.31	1.44	4.55	1.46	4.67	1.48	5.03	1.50	5.27	1.53
	43	4.21	1.38	4.45	1.40	4.69	1.42	4.81	1.43	5.17	1.46	5.41	1.48
	40	4.36	1.33	4.60	1.35	4.84	1.38	4.96	1.39	5.32	1.42	5.56	1.44
	35	4.60	1.25	4.84	1.27	5.08	1.29	5.20	1.30	5.56	1.33	5.80	1.35
	32	4.75	1.21	4.99	1.23	5.23	1.26	5.35	1.26	5.70	1.30	5.95	1.31
	25	5.09	1.11	5.33	1.12	5.57	1.15	5.69	1.15	6.04	1.19	6.29	1.20
	22	5.23	1.06	5.47	1.07	5.71	1.11	5.83	1.11	6.19	1.15	6.43	1.16

TC : Total capacity [kW]
 PI; Power input [kW]

Heating

2 - room multisplit : 1 - unit operation

Indoor units : 05 type
 07 type
 10 type
 13 type
 16 type

Outdoor unit : RAS-2M18U2AVG-E

Combination (Capacity)	Outdoor air temp. [°C WB]	Indoor air temp. [°C DB]											
		16		18		20		21		22		24	
		TC [kW]	PI [kW]	TC [kW]	PI [kW]	TC [kW]	PI [kW]	TC [kW]	PI [kW]	TC [kW]	PI [kW]	TC [kW]	PI [kW]
05	15	2.46	0.47	2.43	0.47	2.41	0.47	2.39	0.47	2.38	0.47	2.35	0.48
	10	2.24	0.45	2.21	0.45	2.18	0.45	2.17	0.46	2.15	0.46	2.12	0.46
	6	2.06	0.43	2.03	0.44	2.00	0.44	1.99	0.44	1.97	0.44	1.94	0.44
	0	1.78	0.41	1.76	0.41	1.73	0.42	1.72	0.42	1.70	0.42	1.67	0.42
	-5	1.56	0.39	1.53	0.40	1.50	0.40	1.49	0.40	1.48	0.40	1.45	0.40
	-10	1.33	0.38	1.31	0.38	1.28	0.38	1.26	0.38	1.25	0.38	1.22	0.39
	-15	1.11	0.36	1.08	0.36	1.05	0.36	1.04	0.36	1.02	0.36	1.00	0.37
07	15	3.32	0.65	3.29	0.65	3.25	0.66	3.23	0.66	3.21	0.66	3.17	0.66
	10	3.02	0.62	2.98	0.62	2.94	0.63	2.92	0.63	2.91	0.63	2.87	0.64
	6	2.77	0.60	2.74	0.60	2.70	0.61	2.68	0.61	2.66	0.61	2.62	0.62
	0	2.41	0.57	2.37	0.57	2.33	0.58	2.32	0.58	2.30	0.58	2.26	0.59
	-5	2.10	0.55	2.07	0.55	2.03	0.55	2.01	0.56	1.99	0.56	1.96	0.56
	-10	1.80	0.52	1.76	0.52	1.73	0.53	1.71	0.53	1.69	0.53	1.65	0.53
	-15	1.49	0.50	1.46	0.50	1.42	0.50	1.40	0.51	1.38	0.51	1.35	0.51
10	15	4.92	1.11	4.87	1.12	4.81	1.13	4.79	1.13	4.76	1.13	4.70	1.14
	10	4.47	1.07	4.42	1.07	4.36	1.09	4.33	1.09	4.31	1.09	4.25	1.10
	6	4.11	1.03	4.05	1.04	4.00	1.05	3.97	1.05	3.94	1.05	3.89	1.06
	0	3.57	0.98	3.51	0.99	3.46	1.00	3.43	1.00	3.40	1.00	3.35	1.01
	-5	3.12	0.94	3.06	0.95	3.01	0.96	2.98	0.96	2.95	0.96	2.90	0.96
	-10	2.67	0.90	2.61	0.90	2.56	0.91	2.53	0.91	2.50	0.91	2.44	0.92
	-15	2.21	0.85	2.16	0.86	2.10	0.87	2.08	0.87	2.05	0.87	1.99	0.88
13	15	6.15	1.43	6.09	1.44	6.02	1.45	5.98	1.46	5.95	1.46	5.88	1.47
	10	5.59	1.37	5.52	1.38	5.45	1.40	5.42	1.40	5.38	1.40	5.31	1.41
	6	5.14	1.33	5.07	1.34	5.00	1.35	4.96	1.35	4.93	1.35	4.86	1.36
	0	4.46	1.26	4.39	1.27	4.32	1.28	4.29	1.29	4.26	1.29	4.19	1.30
	-5	3.90	1.21	3.83	1.22	3.76	1.23	3.73	1.23	3.69	1.23	3.62	1.24
	-10	3.33	1.15	3.26	1.16	3.19	1.17	3.16	1.18	3.12	1.18	3.06	1.18
	-15	2.77	1.10	2.70	1.11	2.63	1.12	2.60	1.12	2.56	1.12	2.49	1.13
16	15	6.77	1.58	6.69	1.59	6.62	1.60	6.58	1.61	6.54	1.61	6.47	1.62
	10	6.15	1.52	6.07	1.53	6.00	1.54	5.96	1.54	5.92	1.54	5.84	1.55
	6	5.65	1.47	5.58	1.48	5.50	1.49	5.46	1.49	5.42	1.49	5.35	1.50
	0	4.91	1.39	4.83	1.40	4.76	1.42	4.72	1.42	4.68	1.42	4.60	1.43
	-5	4.29	1.33	4.21	1.34	4.13	1.36	4.10	1.36	4.06	1.36	3.98	1.37
	-10	3.67	1.27	3.59	1.28	3.51	1.29	3.48	1.30	3.44	1.30	3.36	1.31
	-15	3.05	1.21	2.97	1.22	2.89	1.23	2.86	1.24	2.82	1.24	2.74	1.24

TC : Total capacity [kW]

PI ; Power input [kW]

Heating

2 - room multisplit : 2 - unit operation

Indoor units : 05 type + 05 type 16 type + 05 type
 07 type + 05 type 07 type + 07 type
 10 type + 05 type 10 type + 07 type
 13 type + 05 type 13 type + 07 type

Outdoor unit : RAS-2M18U2AVG-E

Combination (Capacity)	Outdoor air temp. [°C WB]	Indoor air temp. [°C DB]											
		16		18		20		21		22		24	
		TC [kW]	PI [kW]	TC [kW]	PI [kW]	TC [kW]	PI [kW]	TC [kW]	PI [kW]	TC [kW]	PI [kW]	TC [kW]	PI [kW]
05+05	15	4.92	1.04	4.87	1.04	4.81	1.05	4.79	1.06	4.76	1.06	4.70	1.06
	10	4.47	1.00	4.42	1.00	4.36	1.01	4.33	1.02	4.31	1.02	4.25	1.02
	6	4.11	0.96	4.05	0.97	4.00	0.98	3.97	0.98	3.94	0.98	3.89	0.99
	0	3.57	0.92	3.51	0.92	3.46	0.93	3.43	0.93	3.40	0.93	3.35	0.94
	-5	3.12	0.88	3.06	0.88	3.01	0.89	2.98	0.89	2.95	0.89	2.90	0.90
	-10	2.67	0.84	2.61	0.84	2.56	0.85	2.53	0.85	2.50	0.85	2.44	0.86
	-15	2.21	0.80	2.16	0.80	2.10	0.81	2.08	0.81	2.05	0.81	1.99	0.82
07+05	15	5.78	1.23	5.72	1.23	5.65	1.25	5.62	1.25	5.59	1.25	5.53	1.26
	10	5.25	1.18	5.19	1.19	5.12	1.20	5.09	1.20	5.06	1.20	4.99	1.21
	6	4.83	1.14	4.76	1.15	4.70	1.16	4.67	1.16	4.63	1.16	4.57	1.17
	0	4.19	1.09	4.13	1.09	4.06	1.10	4.03	1.11	4.00	1.11	3.93	1.11
	-5	3.66	1.04	3.60	1.04	3.53	1.06	3.50	1.06	3.47	1.06	3.40	1.07
	-10	3.13	0.99	3.07	1.00	3.00	1.01	2.97	1.01	2.94	1.01	2.87	1.02
	-15	2.60	0.94	2.54	0.95	2.47	0.96	2.44	0.96	2.41	0.96	2.34	0.97
10+05	15	6.89	1.46	6.82	1.47	6.74	1.48	6.70	1.49	6.66	1.49	6.58	1.50
	10	6.26	1.40	6.18	1.41	6.11	1.43	6.07	1.43	6.03	1.43	5.95	1.44
	6	5.75	1.36	5.68	1.37	5.60	1.38	5.56	1.38	5.52	1.38	5.44	1.39
	0	5.00	1.29	4.92	1.30	4.84	1.31	4.80	1.32	4.77	1.32	4.69	1.32
	-5	4.37	1.24	4.29	1.24	4.21	1.26	4.17	1.26	4.13	1.26	4.06	1.27
	-10	3.73	1.18	3.65	1.19	3.58	1.20	3.54	1.20	3.50	1.20	3.42	1.21
	-15	3.10	1.12	3.02	1.13	2.95	1.14	2.91	1.14	2.87	1.14	2.79	1.15
13+05	15	6.89	1.46	6.82	1.47	6.74	1.48	6.70	1.49	6.66	1.49	6.58	1.50
	10	6.26	1.40	6.18	1.41	6.11	1.43	6.07	1.43	6.03	1.43	5.95	1.44
	6	5.75	1.36	5.68	1.37	5.60	1.38	5.56	1.38	5.52	1.38	5.44	1.39
	0	5.00	1.29	4.92	1.30	4.84	1.31	4.80	1.32	4.77	1.32	4.69	1.32
	-5	4.37	1.24	4.29	1.24	4.21	1.26	4.17	1.26	4.13	1.26	4.06	1.27
	-10	3.73	1.18	3.65	1.19	3.58	1.20	3.54	1.20	3.50	1.20	3.42	1.21
	-15	3.10	1.12	3.02	1.13	2.95	1.14	2.91	1.14	2.87	1.14	2.79	1.15
16+05	15	6.89	1.43	6.82	1.44	6.74	1.45	6.70	1.46	6.66	1.46	6.58	1.47
	10	6.26	1.37	6.18	1.38	6.11	1.40	6.07	1.40	6.03	1.40	5.95	1.41
	6	5.75	1.33	5.68	1.34	5.60	1.35	5.56	1.35	5.52	1.35	5.44	1.36
	0	5.00	1.26	4.92	1.27	4.84	1.28	4.80	1.29	4.77	1.29	4.69	1.30
	-5	4.37	1.21	4.29	1.22	4.21	1.23	4.17	1.23	4.13	1.23	4.06	1.24
	-10	3.73	1.15	3.65	1.16	3.58	1.17	3.54	1.18	3.50	1.18	3.42	1.18
	-15	3.10	1.10	3.02	1.11	2.95	1.12	2.91	1.12	2.87	1.12	2.79	1.13
07+07	15	6.65	1.45	6.57	1.46	6.50	1.47	6.46	1.48	6.42	1.48	6.35	1.49
	10	6.04	1.39	5.96	1.40	5.89	1.42	5.85	1.42	5.81	1.42	5.74	1.43
	6	5.55	1.35	5.47	1.36	5.40	1.37	5.36	1.37	5.32	1.37	5.25	1.38
	0	4.82	1.28	4.74	1.29	4.67	1.30	4.63	1.31	4.60	1.31	4.52	1.32
	-5	4.21	1.23	4.14	1.23	4.06	1.25	4.02	1.25	3.99	1.25	3.91	1.26
	-10	3.60	1.17	3.52	1.18	3.45	1.19	3.41	1.19	3.37	1.19	3.30	1.20
	-15	2.99	1.11	2.92	1.12	2.84	1.13	2.80	1.14	2.77	1.14	2.69	1.14
10+07	15	6.89	1.47	6.82	1.48	6.74	1.49	6.70	1.50	6.66	1.50	6.58	1.51
	10	6.26	1.41	6.18	1.42	6.11	1.44	6.07	1.44	6.03	1.44	5.95	1.45
	6	5.75	1.37	5.68	1.38	5.60	1.39	5.56	1.39	5.52	1.39	5.44	1.40
	0	5.00	1.30	4.92	1.31	4.84	1.32	4.80	1.33	4.77	1.33	4.69	1.33
	-5	4.37	1.24	4.29	1.25	4.21	1.26	4.17	1.27	4.13	1.27	4.06	1.28
	-10	3.73	1.19	3.65	1.20	3.58	1.21	3.54	1.21	3.50	1.21	3.42	1.22
	-15	3.10	1.13	3.02	1.14	2.95	1.15	2.91	1.15	2.87	1.15	2.79	1.16
13+07	15	6.89	1.42	6.82	1.43	6.74	1.44	6.70	1.44	6.66	1.44	6.58	1.45
	10	6.26	1.36	6.18	1.37	6.11	1.39	6.07	1.39	6.03	1.39	5.95	1.40
	6	5.75	1.32	5.68	1.33	5.60	1.34	5.56	1.34	5.52	1.34	5.44	1.35
	0	5.00	1.25	4.92	1.26	4.84	1.27	4.80	1.28	4.77	1.28	4.69	1.29
	-5	4.37	1.20	4.29	1.21	4.21	1.22	4.17	1.22	4.13	1.22	4.06	1.23
	-10	3.73	1.14	3.65	1.15	3.58	1.16	3.54	1.17	3.50	1.17	3.42	1.17
	-15	3.10	1.09	3.02	1.10	2.95	1.11	2.91	1.11	2.87	1.11	2.79	1.12

TC : Total capacity [kW]
 PI ; Power input [kW]

Heating

2-room multisplit : 2-unit operation

Indoor units : 16 type + 07 type 13 type + 13 type
 10 type + 10 type 16 type + 13 type
 13 type + 10 type 16 type + 16 type
 16 type + 10 type

Outdoor unit : RAS-2M18U2AVG-E

Combination (Capacity)	Outdoor air temp. [°C WB]	Indoor air temp. [°C DB]											
		16		18		20		21		22		24	
		TC [kW]	PI [kW]	TC [kW]	PI [kW]	TC [kW]	PI [kW]	TC [kW]	PI [kW]	TC [kW]	PI [kW]	TC [kW]	PI [kW]
16+07	15	6.89	1.31	6.82	1.32	6.74	1.33	6.70	1.34	6.66	1.34	6.58	1.35
	10	6.26	1.26	6.18	1.27	6.11	1.28	6.07	1.29	6.03	1.29	5.95	1.29
	6	5.75	1.22	5.68	1.23	5.60	1.24	5.56	1.24	5.52	1.24	5.44	1.25
	0	5.00	1.16	4.92	1.17	4.84	1.18	4.80	1.18	4.77	1.18	4.69	1.19
	-5	4.37	1.11	4.29	1.12	4.21	1.13	4.17	1.13	4.13	1.13	4.06	1.14
	-10	3.73	1.06	3.65	1.07	3.58	1.08	3.54	1.08	3.50	1.08	3.42	1.09
	-15	3.10	1.01	3.02	1.02	2.95	1.03	2.91	1.03	2.87	1.03	2.79	1.04
10+10	15	6.89	1.43	6.82	1.44	6.74	1.45	6.70	1.46	6.66	1.46	6.58	1.47
	10	6.26	1.37	6.18	1.38	6.11	1.40	6.07	1.40	6.03	1.40	5.95	1.41
	6	5.75	1.33	5.68	1.34	5.60	1.35	5.56	1.35	5.52	1.35	5.44	1.36
	0	5.00	1.26	4.92	1.27	4.84	1.28	4.80	1.29	4.77	1.29	4.69	1.30
	-5	4.37	1.21	4.29	1.22	4.21	1.23	4.17	1.23	4.13	1.23	4.06	1.24
	-10	3.73	1.15	3.65	1.16	3.58	1.17	3.54	1.18	3.50	1.18	3.42	1.18
	-15	3.10	1.10	3.02	1.11	2.95	1.12	2.91	1.12	2.87	1.12	2.79	1.13
13+10	15	6.89	1.40	6.82	1.41	6.74	1.42	6.70	1.42	6.66	1.42	6.58	1.43
	10	6.26	1.34	6.18	1.35	6.11	1.36	6.07	1.37	6.03	1.37	5.95	1.38
	6	5.75	1.30	5.68	1.31	5.60	1.32	5.56	1.32	5.52	1.32	5.44	1.33
	0	5.00	1.24	4.92	1.24	4.84	1.26	4.80	1.26	4.77	1.26	4.69	1.27
	-5	4.37	1.18	4.29	1.19	4.21	1.20	4.17	1.20	4.13	1.20	4.06	1.21
	-10	3.73	1.13	3.65	1.13	3.58	1.15	3.54	1.15	3.50	1.15	3.42	1.16
	-15	3.10	1.07	3.02	1.08	2.95	1.09	2.91	1.09	2.87	1.09	2.79	1.10
16+10	15	6.89	1.29	6.82	1.30	6.74	1.31	6.70	1.32	6.66	1.32	6.58	1.32
	10	6.26	1.24	6.18	1.25	6.11	1.26	6.07	1.26	6.03	1.26	5.95	1.27
	6	5.75	1.20	5.68	1.21	5.60	1.22	5.56	1.22	5.52	1.22	5.44	1.23
	0	5.00	1.14	4.92	1.15	4.84	1.16	4.80	1.16	4.77	1.16	4.69	1.17
	-5	4.37	1.09	4.29	1.10	4.21	1.11	4.17	1.11	4.13	1.11	4.06	1.12
	-10	3.73	1.04	3.65	1.05	3.58	1.06	3.54	1.06	3.50	1.06	3.42	1.07
	-15	3.10	0.99	3.02	1.00	2.95	1.01	2.91	1.01	2.87	1.01	2.79	1.02
13+13	15	6.89	1.36	6.82	1.37	6.74	1.39	6.70	1.39	6.66	1.39	6.58	1.40
	10	6.26	1.31	6.18	1.32	6.11	1.33	6.07	1.34	6.03	1.34	5.95	1.35
	6	5.75	1.27	5.68	1.28	5.60	1.29	5.56	1.29	5.52	1.29	5.44	1.30
	0	5.00	1.21	4.92	1.21	4.84	1.23	4.80	1.23	4.77	1.23	4.69	1.24
	-5	4.37	1.15	4.29	1.16	4.21	1.17	4.17	1.18	4.13	1.18	4.06	1.18
	-10	3.73	1.10	3.65	1.11	3.58	1.12	3.54	1.12	3.50	1.12	3.42	1.13
	-15	3.10	1.05	3.02	1.06	2.95	1.07	2.91	1.07	2.87	1.07	2.79	1.08
16+13	15	6.89	1.26	6.82	1.27	6.74	1.28	6.70	1.28	6.66	1.28	6.58	1.29
	10	6.26	1.21	6.18	1.22	6.11	1.23	6.07	1.23	6.03	1.23	5.95	1.24
	6	5.75	1.17	5.68	1.18	5.60	1.19	5.56	1.19	5.52	1.19	5.44	1.20
	0	5.00	1.11	4.92	1.12	4.84	1.13	4.80	1.14	4.77	1.14	4.69	1.14
	-5	4.37	1.07	4.29	1.07	4.21	1.08	4.17	1.09	4.13	1.09	4.06	1.09
	-10	3.73	1.02	3.65	1.02	3.58	1.03	3.54	1.04	3.50	1.04	3.42	1.04
	-15	3.10	0.97	3.02	0.97	2.95	0.98	2.91	0.99	2.87	0.99	2.79	0.99
16+16	15	6.89	1.21	6.82	1.21	6.74	1.23	6.70	1.23	6.66	1.23	6.58	1.24
	10	6.26	1.16	6.18	1.17	6.11	1.18	6.07	1.18	6.03	1.18	5.95	1.19
	6	5.75	1.12	5.68	1.13	5.60	1.14	5.56	1.14	5.52	1.14	5.44	1.15
	0	5.00	1.07	4.92	1.07	4.84	1.08	4.80	1.09	4.77	1.09	4.69	1.09
	-5	4.37	1.02	4.29	1.03	4.21	1.04	4.17	1.04	4.13	1.04	4.06	1.05
	-10	3.73	0.97	3.65	0.98	3.58	0.99	3.54	0.99	3.50	0.99	3.42	1.00
	-15	3.10	0.93	3.02	0.93	2.95	0.94	2.91	0.95	2.87	0.95	2.79	0.95

TC : Total capacity [kW]
 PI ; Power input [kW]

TOSHIBA CARRIER (THAILAND) CO.,LTD.

144/9 Moo 5, Bangkadi Industrial Park, Tivanon Road, Tambol Bangkadi,
Amphur Muang, Pathumthani 12000, Thailand

Copyright © 2015 TOSHIBA CARRIER (THAILAND), All Rights Reserved

Notice : Toshiba is committed to continuously improving its products to ensure the highest quality and reliability standard, and to meet local regulations and market requirements. All features and specifications are subject to change without prior notice.
